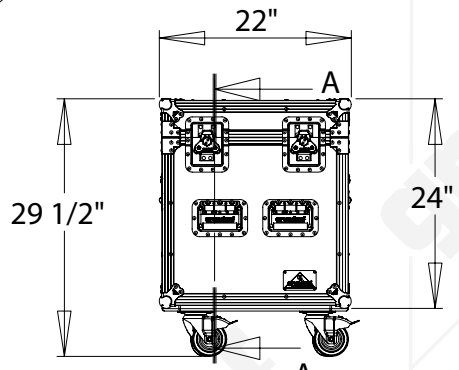
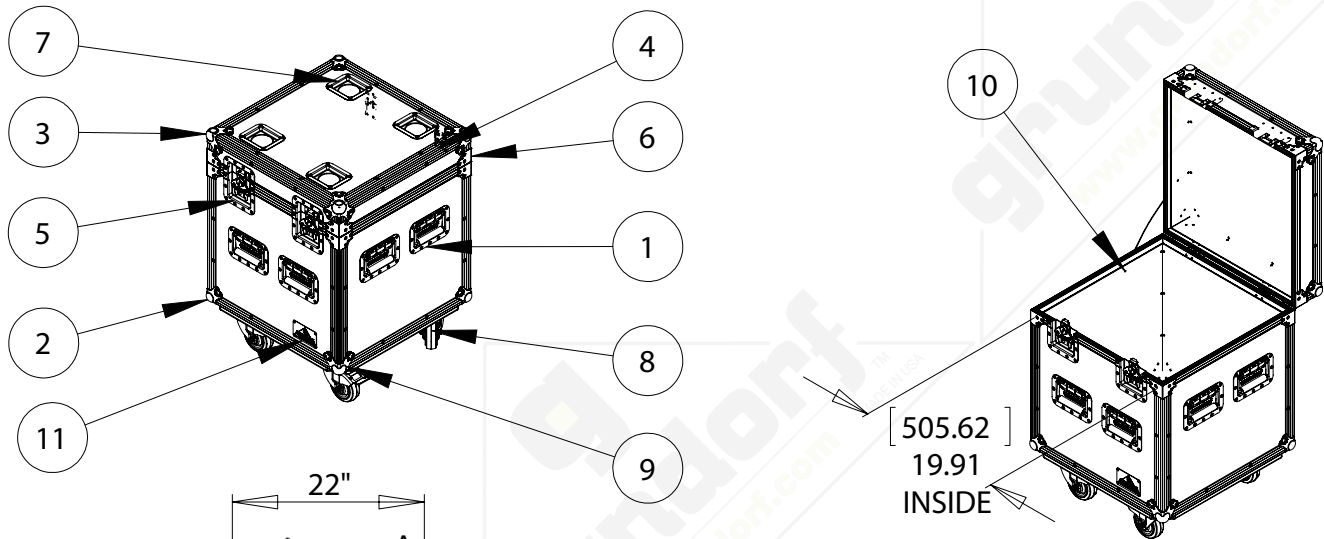
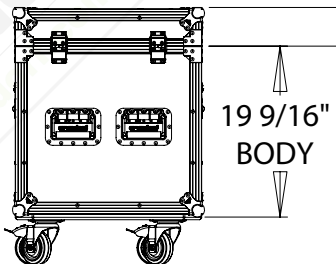


#	QTY.	PART NUMBER	DESCRIPTION
1	8	31-005	HANDLE - RECESSED/LOGO/ZINC
2	4	32-008	CORNER-BALL/ZINC
3	4	32-009	CORNER-STACKING BALL/ZINC
4	2	33-017	HINGE - STOP/LARGE/ZINC
5	2	34-014	CATCH - RECESSED LARGE W/OFFSET/ZINC
6	8	35-008	CLAMP - LARGE/OFFSET
7	4	37-019	CASTER DISH - RECESSED
8	2	37-030	CASTER - 4" SWIVEL, LARGE
9	2	37-031	CASTER - 4" SWIVEL, LARGE WITH BRAKE
10	1	38-006	LID STAY - WIRE, 12"
11	1	83-008	BADGE - GRUNDORF



Front View



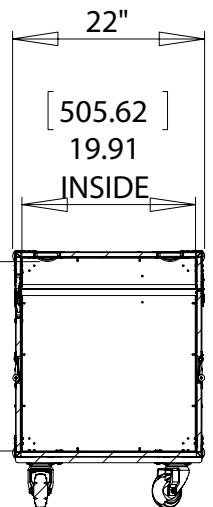
Back View

4 7/16" LID

19 9/16" BODY

[505.62]
19.91
INSIDE

[551.07]
21.70
INSIDE



SECTION A-A